

Radial spherical plain bearings S..PB



向心关节轴承

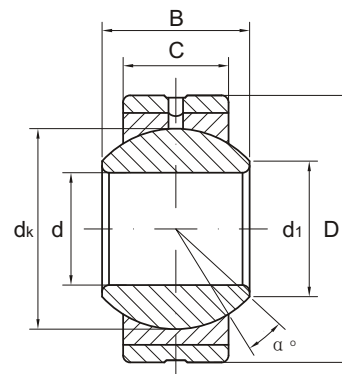
Maintenance required 需润滑

-Made up of G..PB and steel sleeve.

-Lubricating groove and holes in outer ring.

-由G..PB和钢衬套组成。

-外圈有润滑油槽和油孔。



Part No. 型号	Dimensions 尺寸mm							Load ratings 负荷KN		Weight 重量Kg
	d	d ₁	B	C	D	d _k	α ≈	dyn. 动 C _d	stat. 静 C _s	
S 5 PB	5	7.7	8	6	16	11.112	13	6.4	15	0.009
S 6 PB	6	8.9	9	6.75	18	12.70	13	8.3	19	0.013
S 8 PB	8	10.3	12	9	22	15.875	13	13	31	0.024
S 10 PB	10	12.9	14	10.5	26	19.05	13	19	43	0.04
S 12 PB	12	15.4	16	12	30	22.225	13	24	58	0.08
S 14 PB	14	16.8	19	13.5	34	25.40	15	31	74	0.11
S 16 PB	16	19.3	21	15	38	28.575	15	39	92	0.13
S 18 PB	18	21.8	23	16.5	42	31.75	15	48	112	0.17
S 20 PB	20	24.3	25	18	46	34.925	15	57	135	0.23
S 22 PB	22	25.8	28	20	50	38.10	15	71	164	0.28
S 25 PB	25	29.5	31	22	56	42.86	15	87	203	0.39
S 30 PB	30	34.8	37	25	66	50.80	15	116	273	0.61